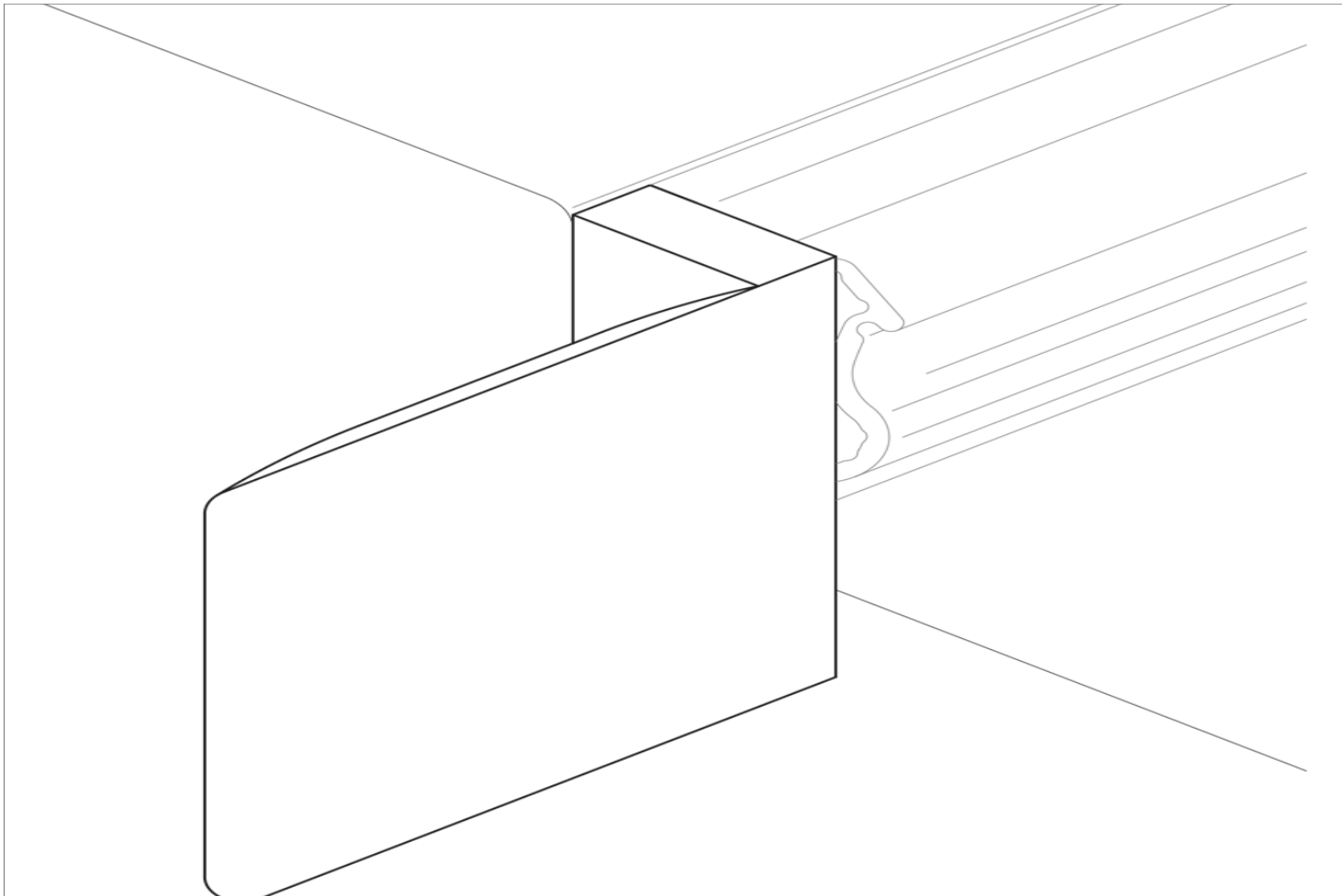


FACE PLATE CAP



PRODUCT ID STULPKAPPE-ST-5005

Face plate cap as end piece for sealing frame in double-wing window without mullion, for gaskets ACF 5005 H and ASF 6161 H

SPECIFICATION

Packaging: 1 bag with 50 pairs