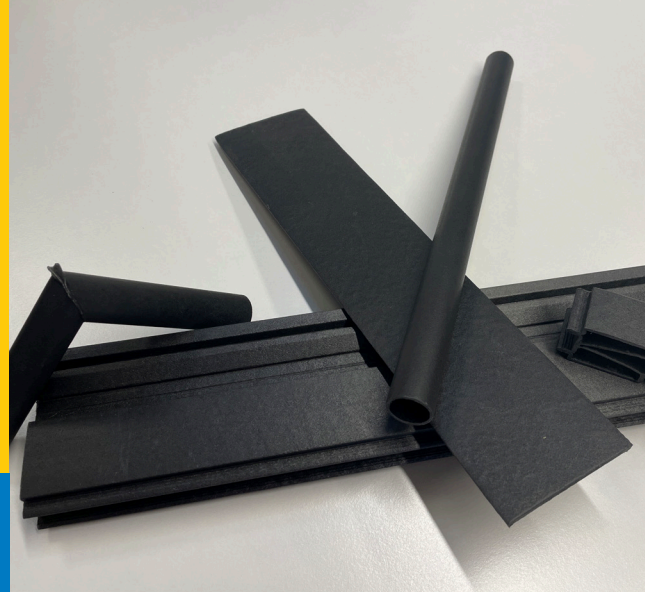




## DISCOVER RIGICORE®

– THE FUTURE OF SUSTAINABLE  
 HIGH-PERFORMANCE MATERIALS

This innovative RigiCore material incorporates up to 40% recycled carbon, making it a 100% recycled high-performance solution with superior strength and stiffness.



RigiCore® profiles, well-suited for building products. Primo's solutions are unique worldwide.

## WHY CHOOSE RIGICORE®?

### SUSTAINABILITY AT ITS BEST

By using post-use and post-industrial waste, RigiCore significantly reduces environmental impact while maintaining high quality.

### HIGH STRENGTH AND STIFFNESS

RigiCore can be designed to substitute traditional materials, including aluminum, and with far less environmental cost. Thanks to its high strength and stiffness, it is a perfect choice for projects requiring durability and performance, all while reducing the environmental footprint.

### LIGHTWEIGHT ADVANTAGE

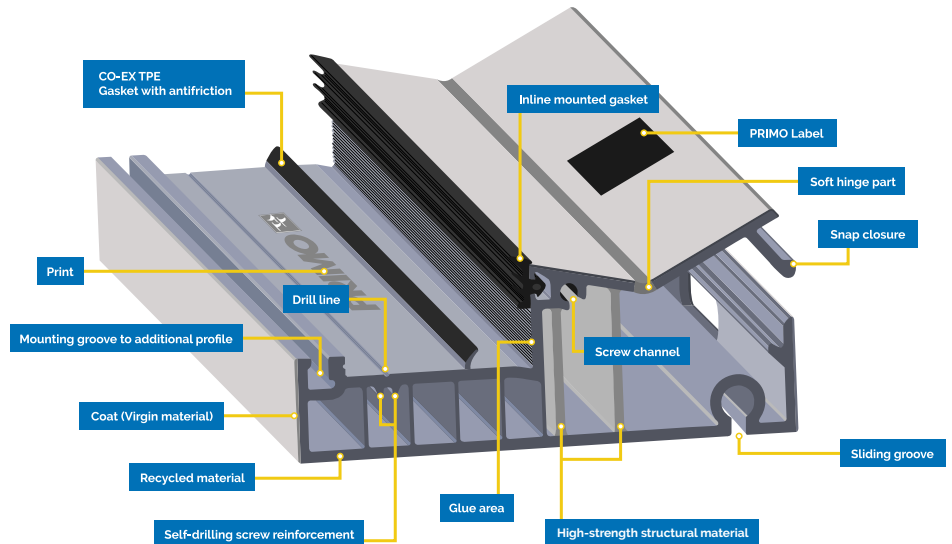
With a density less than half that of aluminum, RigiCore offers weight-saving benefits, making it ideal for industries where reducing weight is crucial, without compromising on performance.

### INLINE MACHINING

RigiCore can be extruded using in-line processes, unlike e.g. metal or pultruded profiles which requires multiple, separate processes (cutting, stamping, milling, and surface treatment). This streamlines production, cuts costs/hours for our customers, and reduces CO2 emissions associated with multiple manufacturing steps.

PROPERTIES	EN/ISO TEST METHOD	SI UNIT	TYPICAL VALUE
Density	1183	g/cm <sub>3</sub>	<1.27
E-modulus	527-2	MPa	~15,000
Tensile strength	527-2	MPa	~90
Charpy impact	ISO 179-1eU	kJ/m <sup>2</sup>	~30
Elongation at break	527-2	%	~2
CO2-footprint (GWP)	-	Kg CO2e/kg	<1.17
Color	-	-	Carbon Fibre

**EXTRUDED PLASTIC  
 PROFILES COVER  
 A WIDE RANGE OF  
 FUNCTIONALITIES.**



## SUBSIDIARIES

### ALABAMA, USA

PRIMO PROFILES ALABAMA LLC  
 7611 Lake Road South  
 Mobile AL 36605  
 USA

### CHINA

PROFLEX PLASTIC TECHNOLOGY  
 (Zhuhai FTZ) Co. Ltd.  
 No. 41, Hongwan Free Trade Zone  
 Zhuhai, Guangdong, CHN 519030  
 sales@proflex.cn  
 www.proflex.cn

### DENMARK

PRIMO DANMARK A/S  
 Jernbanegade 11  
 DK-6862 Tistrup  
 primo@primo.dk

### FINLAND

OY PRIMO FINLAND AB  
 Tarhaajantie 2  
 FI-65380 Vaasa  
 primo.finland@primo.fi

### GERMANY

PRIMO PROFILE GmbH  
 Otto-Porath-Platz 1  
 D-15831 Blankenfelde-Mahlow  
 info@primo-profile.de  
 Berlin/Hamburg

### NETHERLANDS

PRIMO NETHERLANDS B.V.  
 Enitor Primo  
 Beatrixstraat 7  
 NL-9285 TV Buitenpost  
 infoenitor@primo.com

### NORWAY

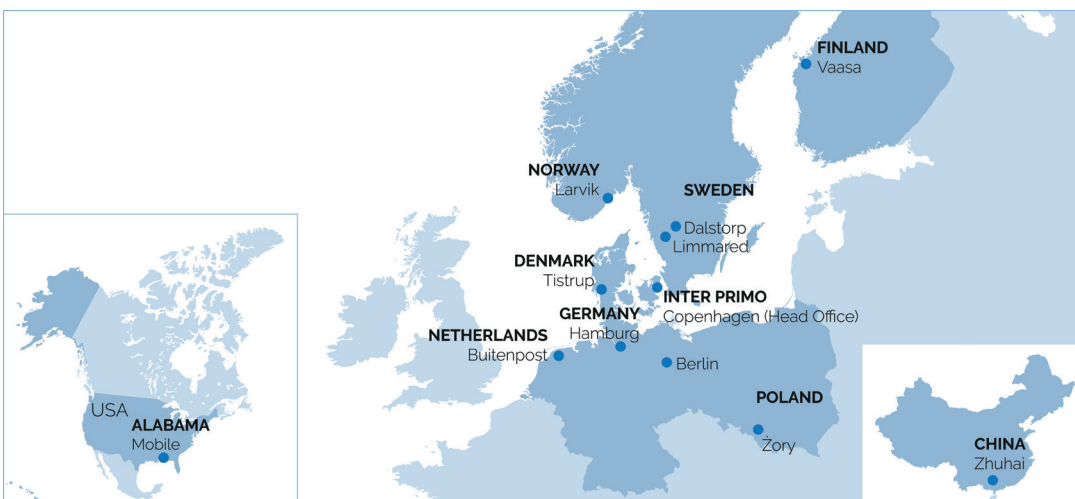
PRIMO NORGE AS  
 P.O.Box 2096  
 N-3255 Larvik  
 post@primo.no

### POLAND

PRIMO PROFILE Sp. z o.o.  
 UL Chemiczna 2  
 PL 44-240 Żory  
 primoprofile@primo.com

### SWEDEN

PRIMO SVERIGE AB  
 Box 4073  
 SE-514 12 Limmared  
 info@primo.se  
 Dalstorp/Limmared



MOTHER COMPANY

INTER PRIMO A/S

Højbro Plads 6  
 DK-1200 København K  
 Denmark

[www.primo.com](http://www.primo.com)