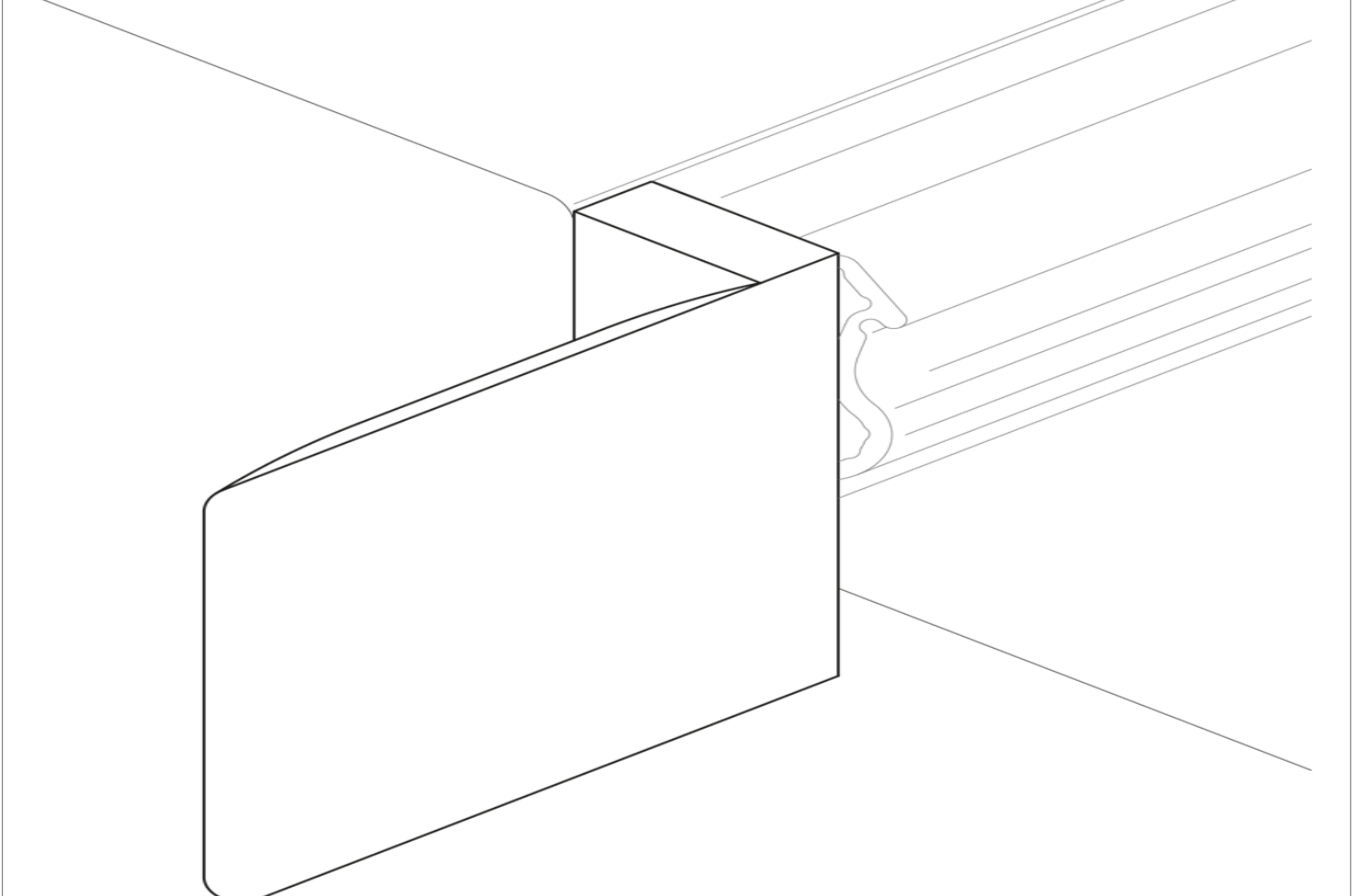


FACE PLATE CAP (ST 5005)



PRODUCT ID STULPKAPPE-ST-5005

Face plate cap as end piece for sealing frame in double-wing window without mullion, for gaskets ACF 5005 H and ASF 6161 H

SPECIFICATION

Material:

Anschlagluft:

Rabbet height:

Groove width:

Groove depth:

Class:

Packaging 1: 1 bag with 50 pairs

Packaging 2: